

Product Information



AVIANA

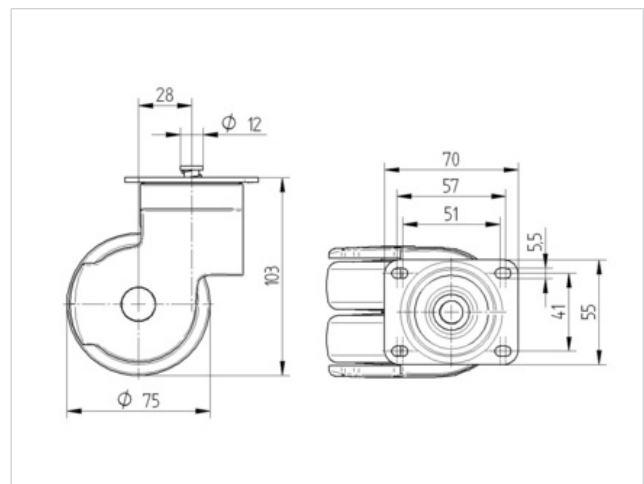
5976UAE075P54

EAN 4031582324648

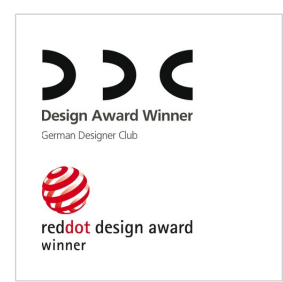
Swivel castor with central lock, housing made of Polyamide, double ball bearing swivel head, upper ball race: balls made of stainless steel, lower ball race: balls of POM. Wheel centre made of Polyamide, Tread: Polyurethane, with threadguards, cone ball bearing, plate fitting



| Technical Data | |
|------------------------|----------------|
| Wheel diameter | 75 mm |
| Width of Tread | 25 mm |
| Size of Plate | 70 x 55 mm |
| Plate hole centres | 57/51 x 41 mm |
| Plate hole | 5,5 mm |
| Offset | 28 mm |
| Swivel Interference | 131 mm |
| Overall height | 103 mm |
| Temperature | - 10 / + 40 °C |
| Standard | EN 12530 |
| Weight | 0.507 kg |
| Load capacity | 100 kg |
| Load capacity (static) | 200 kg |
| Swivel Radius | 65.5 mm |
| Hardness of tread | D 40 Shore |



| | | | | | |
|----------------------|---|---|---|---|---|
| Roll performance | + | + | + | + | + |
| Movement noise | + | + | + | + | + |
| Attrition | + | + | + | + | + |
| Corrosion resistance | + | + | + | + | + |





AVIANA
5976UAE075P54
EAN 4031582324648

