

# Product Information



## LEVINA

### 5377PJP100P30-11

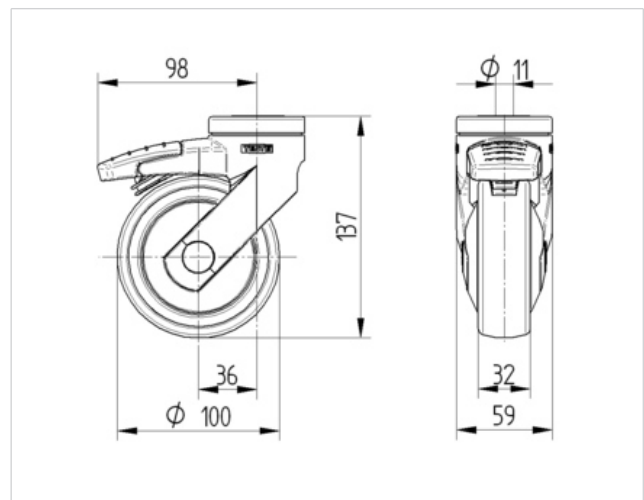
EAN 4031582368963

Swivel castor with total lock, tail end of castor, housing and wheels made from high grade synthetic materials, double ball bearing swivel head. Wheel centre made of Polypropylene, Tread: TENTEprene (thermoplastic rubber), grey non-marking, precision ball bearing, bolt hole

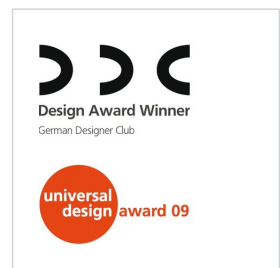
**Hint:** These castors are also with grey locking lever available.



Technical Data	
Wheel diameter	100 mm
Width of Tread	32 mm
Centre hole	11 mm
Offset	36 mm
Swivel Interference	196 mm
Overall height	137 mm
Temperature	- 10 / + 40 °C
Standard	EN 12530
Weight	0.473 kg
Load capacity	100 kg
Load capacity (static)	200 kg
Swivel Radius	98 mm
Hardness of tread	A 87 Shore



Roll performance	+	+	+	+	+
Movement noise	+	+	+	+	+
Attrition	+	+	+	+	+
Corrosion resistance	+	+	+	+	+



# Product Information



## LEVINA

### 5377PJP100P30-11

EAN 4031582368963

