

Product Information



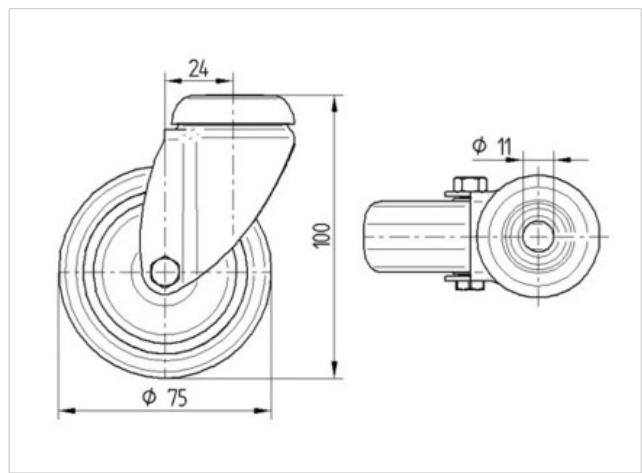
2470PJO075P30-11

EAN 4031582010398

Swivel castor, housing made of pressed steel, bright zinc plated, blue passivated, double ball bearing swivel head. Wheel centre made of Polypropylene, Tread: TENTEprene (thermoplastic rubber), grey non-marking, plain bearing, bolt hole
Castors can be mounted with standard screws; various length screws can be used.

Technical Data	
Wheel diameter	75 mm
Width of Tread	25 mm
Centre hole	11 mm
Offset	24 mm
Swivel Interference	123 mm
Overall height	100 mm
Temperature	- 20 / + 60 °C
Standard	EN 12530
Weight	0.213 kg
Load capacity	75 kg
Load capacity (static)	150 kg
Swivel Radius	61.5 mm
Hardness of tread	A 87 Shore

Roll performance	+	+	+	+	+
Movement noise	+	+	+	+	+
Attrition	+	+	+	+	+
Corrosion resistance	+	+	+	+	+



Product Information



2470PJO075P30-11

EAN 4031582010398

